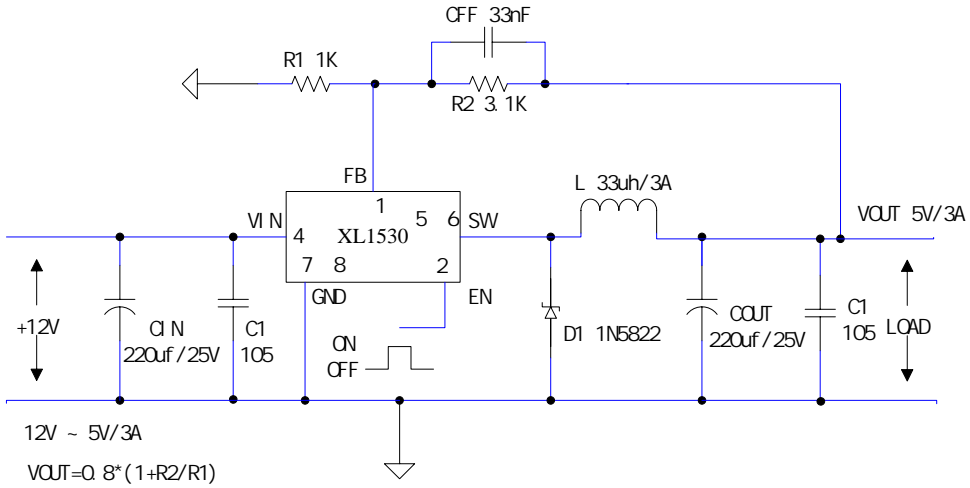


XL1530

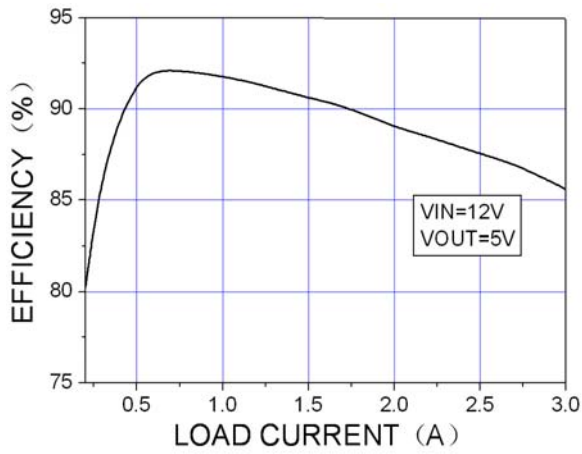
	VIN	3.6 to 18	V
	VOUT	5	V
	IOUT	0 to 3	A

1 XL1530 12V 5V 0.2A—3A

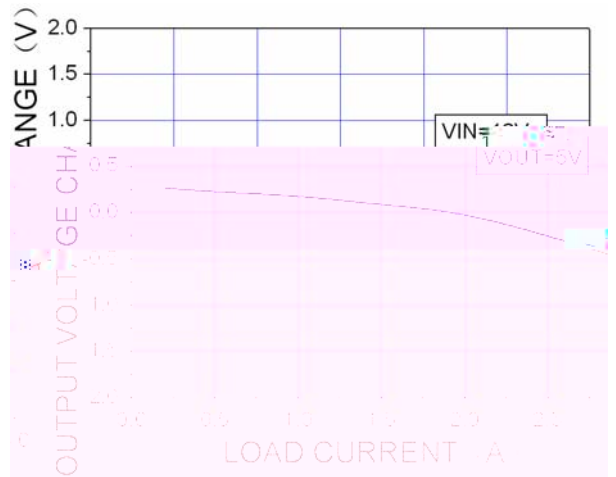


2. XL1530 12V 5V 0.2A—3A

Efficiency Vs Output Current

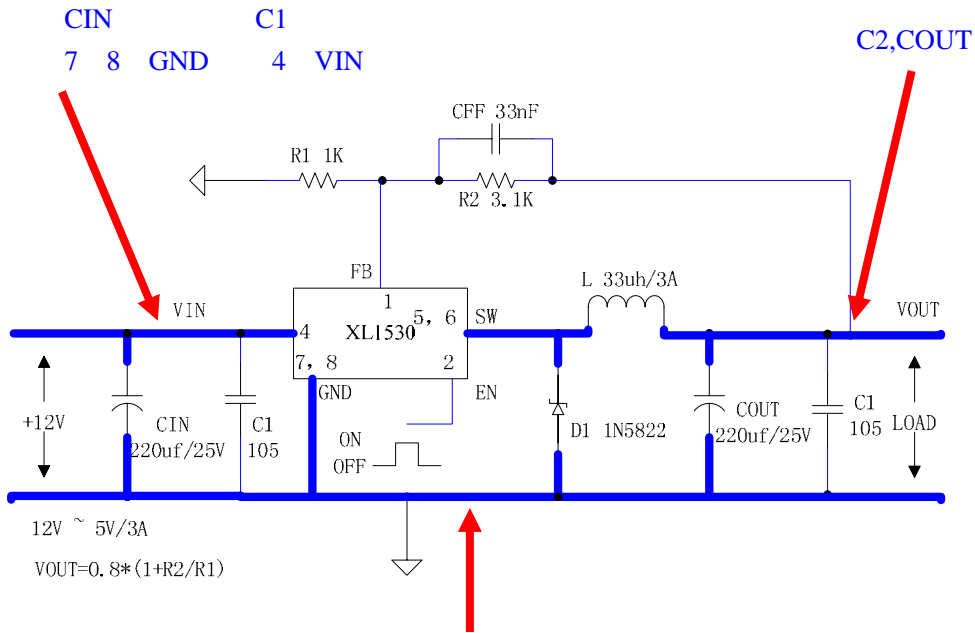


Output Voltage Change Vs Output Current

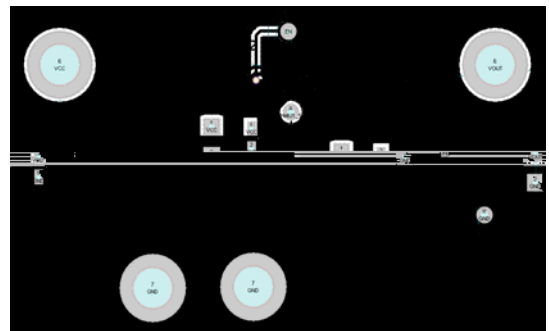
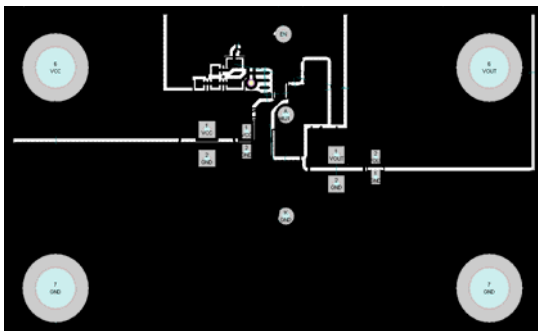
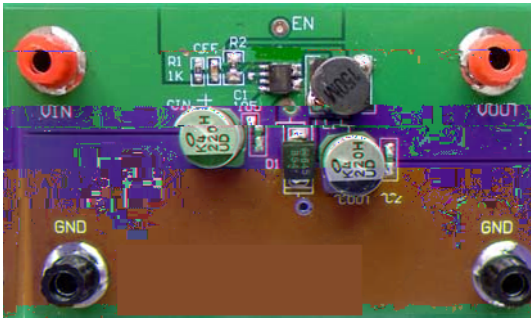


XL1530 PCB

1									
2	7	8	GND	4	VIN			CIN	105 C1
			4	VIN	7	8	(GND)		
3	5	6	SW					5	6
									SW
4	1	FB						C2,COUT	, PCB
								L1,D1,	



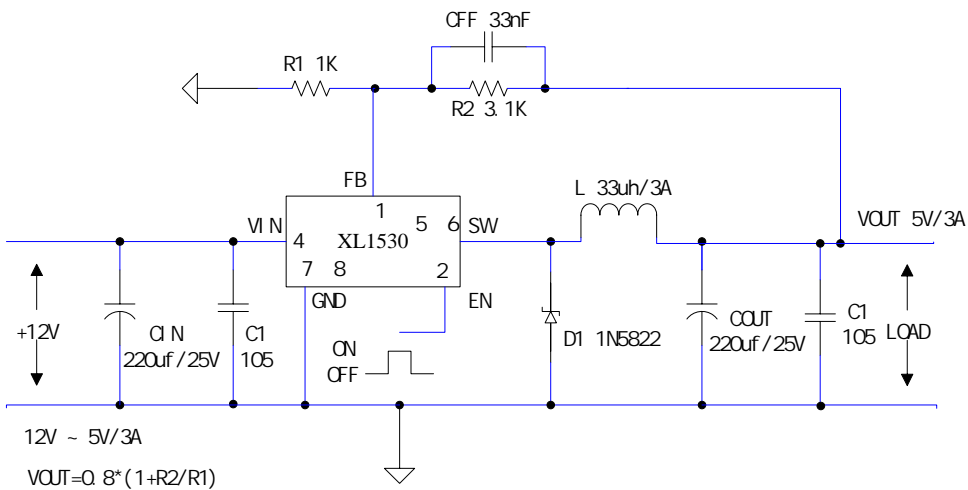
XL1530PCB



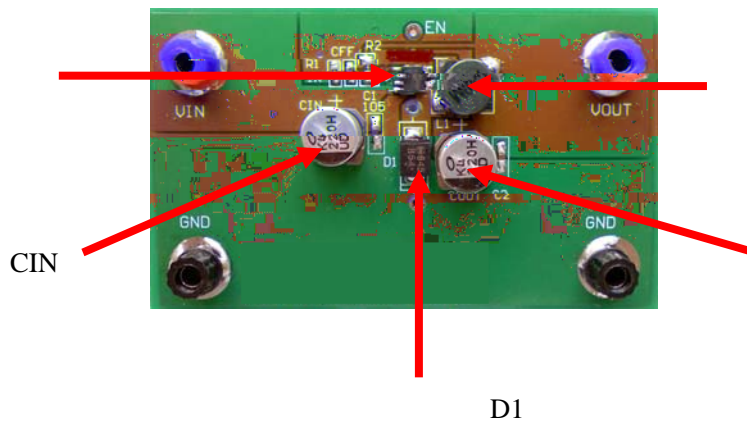
XL1530

1 XL1530

PCB



XL1530



L1

COUT

2 XL1530 DEMO

12V 5V

16

	0.2A	0.5A	1A	1.5A	2A	2.5A	3A
XL1530	20	22	25	31	36	47	63
33uH/3A	19	21	23	26	29	36	46
IN5822	19	20	22	26	29	35	38
35V/220uF	17	18	20	22	26	30	33
35V/220uF	18	18	19	21	26	30	34